

# CARLISLE®

SPECIALTY TIRE AND WHEEL CATALOG



[WWW.CARLISLEBRANDTIRES.COM](http://WWW.CARLISLEBRANDTIRES.COM)





## WELCOME

### To Our Valued Customers:

The Carlstar Group is proud to be your global partner for original equipment and aftermarket specialty tires and wheels. Our product offering spans a wide range of industries from the agriculture, construction, outdoor power equipment, powersports, high speed trailer and flat free/manual markets. The diverse portfolio of solutions are offered under several leading brands including Carlisle® tires and wheels, ITP® tires and wheels, as well as Cragar®, Black Rock® and Unique® wheels and Marastar® manual tires.

The Carlstar Group employs over 3,400 passionate professionals around the globe ready and willing to assist you. With 17 facilities located in 4 countries, we strive to ensure you receive the right products where and when you need them.

This edition of the Carlisle Brand Specialty Tire and Wheel Catalog affords easy access to the latest product information, technical specifications, tread designs and applications. Use these color guides to easily find the product that serves your specialty application.



The Carlstar Group has created a culture of converting great ideas into advanced products and a legacy of excellence in product innovation, quality, and customer service.

For additional information, please visit [www.carlislebrandtires.com](http://www.carlislebrandtires.com) or contact your Carlstar Representative. We appreciate your continued partnership.

## Turf and Lawn

---

### RESIDENTIAL



**TURF SAVER®** 6



**TURF SAVER® II** 7



**TURF TRAC R/S** 7

### PROFESSIONAL



**TURF MASTER®** 8



**MULTI-TRAC C/S** 8



**TURF SMART®** 10



**ULTRA TRAC** 10



**FAST TRAX®** 11



**TURF CTR** 11



**SMOOTH** 12



**STRAIGHT RIB** 12



**AT 101 CHEVRON** 13

## Chore

---



**WHEELBARROW** 13



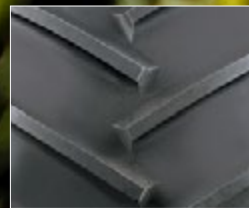
**STUD** 14



**SAWTOOTH®** 14



**SUPER LUG** 15



**POWER TRAC** 15



**TRU POWER** 15



**FLAT FREE** 16



## Golf / Utility



**TOUR MAX®** 16



**TURF GLIDE** 17



**LINKS®** 17



**FAIRWAY PRO** 17



**CLASSIC RB** 17



**INDUSTRIAL TRAX** 18

## Snow



**SNOW HOG** 18



**XTRAC®** 19



**CONSUMER, COMMERCIAL TURF EQUIPMENT, GOLF CARS AND UTILITY VEHICLES**

**TURF SAVER®**

With its classic square shouldered design, the Turf Saver tire is the market leader for residential riding lawn mowers worldwide. The flat profile and chevron tread provide excellent traction. Its turf-friendly design and breadth of line make it versatile in both application and fitment.

SIZE	PRODUCT CODE	PLY	DIAMETER†	WIDTH†	RIM WIDTH	MAX LOAD @ 10 MPH	MAX PSI	TIRE WEIGHT
9x3.50-4	<b>5110111</b>	4	8.8	3.6	2.50	260	50	2.0
4.10-4	<b>5110251</b>	2	10.9	3.8	2.50	225	24	2.8
11x4.00-4	<b>5110271</b>	2	11.2	4.1	2.50	215	24	3.0
11x4.00-5	<b>5110101</b>	2	10.9	4.0	3.00	210	22	3.2
13x5.00-6	<b>5110201</b>	2	12.8	4.7	3.50	290	20	3.5
13x5.00-6	<b>5110211</b>	4	13.0	4.8	3.50	440	40	4.3
13x6.50-6	<b>5111851</b>	2	13.3	6.5	4.50	320	14	5.5
13x6.50-6	<b>5111861</b>	4	13.4	6.3	4.50	480	28	5.9
15x6.00-6	<b>5110301</b>	2	14.3	6.4	4.50	365	14	4.8
16x6.50-8	<b>5110951</b>	2	16.3	6.6	5.38	380	12	6.0
16x6.50-8	<b>5110961</b>	4	16.4	6.4	5.38	615	28	6.7
16x7.50-8	<b>5112001</b>	2	16.4	7.0	5.38	480	12	7.5
4.80-8	<b>5112501</b>	2	16.5	4.8	3.75	440	20	5.7
18x6.50-8	<b>5110981</b>	2	17.2	6.4	5.38	520	14	6.6
18x6.50-8	<b>5110991</b>	4	17.2	6.5	5.38	760	28	8.0
18x7.50-8	<b>5111021</b>	4	18.0	7.2	5.38	805	24	9.6
18x8.50-8	<b>5110701</b>	2	17.9	8.2	7.00	520	10	9.0
18x8.50-8	<b>5110711</b>	4	18.2	8.2	7.00	825	22	10.0
18x9.50-8	<b>5110841</b>	2	17.8	9.5	7.00	695	12	10.6
18x9.50-8	<b>6L05011</b>	4	17.9	9.4	7.00	935	20	11.1
18x9.50-8	<b>511082</b>	6	18.5	9.5	7.00	1295	36	11.5
20x8.00-8	<b>5110801</b>	2	19.2	9.0	7.00	600	10	10.3
20x10.00-8	<b>5111011</b>	2	19.6	10.4	7.00	760	10	13.5
20x8.00-10	<b>5111111</b>	4	20.0	7.9	6.00	910	24	12.3
20x10.00-10	<b>5111161</b>	4	20.1	8.8	6.00	1225	24	14.2
21x7.00-10	<b>511140</b>	2	20.2	6.9	5.00	640	12	10.5
22x9.50-12	<b>5110511</b>	2	21.3	8.9	7.00	785	12	14.1
23x8.50-12	<b>511090</b>	2	23.1	8.5	7.00	715	10	13.5
23x9.50-12	<b>511100</b>	2	23.2	9.4	7.00	920	12	14.3
23x10.50-12	<b>6L03381</b>	2	22.8	10.4	8.50	880	10	17.2
23x10.50-12	<b>6L05031</b>	4	22.9	10.3	8.50	1320	20	18.0
24x12.00-12	<b>511075</b>	2	23.0	11.6	8.50	1140	10	19.4

All Outdoor Power Equipment are Non-Highway Service (NHS) Tires. † Indicates mounted diameter and mounted width



TURF SAVER® II

TURF TRAC R/S

### TURF SAVER® II

The Turf Saver II tire is a modified version of the Turf Saver. It features a round shoulder profile and is designed for use on residential riding lawn mowers. It is also commonly used for towable lawn carts, spreaders, sprayers and other mower attachments.

SIZE	PRODUCT CODE	PLY	DIAMETER†	WIDTH†	RIM WIDTH	MAX LOAD @ 10 MPH	MAX PSI	TIRE WEIGHT
13x5.00-6	<b>5112201</b>	2	12.5	4.5	3.50	290	20	3.3
15x6.00-6	<b>5112301</b>	2	14.3	5.9	4.50	365	14	4.3
16x6.50-8	<b>5112951</b>	2	16.1	6.2	5.38	410	14	5.3
18x8.50-8	<b>5112701</b>	2	17.6	8.2	7.00	520	10	7.4
18x9.50-8	<b>511284</b>	2	17.8	9.1	7.00	695	12	6.6
20x8.00-8	<b>5112801</b>	2	19.1	8.9	7.00	600	10	8.8

All Outdoor Power Equipment are Non-Highway Service (NHS) Tires.  
 † Indicates mounted diameter and mounted width

### TURF TRAC R/S

The Turf Trac R/S tire offers all-around best performance in our residential product line. Applications include grounds care equipment, zero turn mowers and utility vehicles.

SIZE	PRODUCT CODE	PLY	DIAMETER†	WIDTH†	RIM WIDTH	MAX LOAD @ 10 MPH	MAX PSI	TIRE WEIGHT
11x4.00-5	<b>5753331</b>	2	10.6	4.0	3.00	210	22	2.7
15x6.00-6	<b>5753191</b>	4	14.4	6.3	4.50	565	30	6.0
16x6.50-8	<b>6L02651</b>	4	16.0	6.6	5.38	617	28	6.4
18x8.50-8	<b>5753311</b>	4	17.7	8.1	7.00	825	22	9.9
20x10.00-8	<b>5753411</b>	4	19.7	9.7	7.00	1200	22	11.5
22.5x10.00-8	<b>5753B71</b>	4	22.6	10.5	7.00	1390	22	18.7
25x12.00-9	<b>50D3T7</b>	4	25.7	11.5	9.00	1820	20	18.9
20x10.00-10	<b>50D362</b>	4	19.6	9.4	8.00	1170	22	12.5
20x12.00-10	<b>5753151</b>	4	19.8	10.1	7.00	1320	20	15.8
22x9.50-10	<b>5753N11</b>	4	21.7	9.5	7.00	975	14	15.7
24x9.50-10	<b>5753P2</b>	4	24.3	9.8	7.75	1420	22	16.4
24x12.00-10	<b>5753A61</b>	4	24.4	11.9	7.75	1710	20	22.3
23x10.50-12	<b>5753671</b>	4	22.6	10.4	8.50	1320	20	14.1
24x12.00-12	<b>575390</b>	6	23.3	11.0	8.50	2270	32	21.4
26x12.00-12	<b>50D363</b>	10	25.3	12.4	10.50	3300	52	25.9

All Outdoor Power Equipment are Non-Highway Service (NHS) Tires.  
 † Indicates mounted diameter and mounted width


*TURF MASTER*
*MULTI-TRAC C/S*

## TURF MASTER®/ MULTI-TRAC C/S

Turf Master / Multi-Trac C/S professional grade tires feature our most durable compound with deep tread lugs in a profile optimized for stability and traction.

TIRE	SIZE	PRODUCT CODE	PLY	DIAMETER†	WIDTH†	RIM WIDTH	MAX LOAD @ 10 MPH	MAX PSI	TIRE WEIGHT
Turf Master	13x6.50-6	<b>5112491</b>	4	13.4	6.1	4.50	480	28	5.8
Turf Master	15x6.00-6	<b>5112521</b>	4	14.4	6.0	4.50	565	30	6.0
Turf Master	15x6.50-8	<b>6L03071</b>	4	15.0	6.2	5.38	585	28	6.2
Turf Master	16x6.50-8	<b>5114011</b>	4	16.5	6.3	5.38	615	28	7.4
Turf Master	16x7.50-8	<b>5114021</b>	4	16.5	7.0	5.38	675	24	8.5
Turf Master	18x6.50-8	<b>5114171</b>	4	17.4	6.4	5.38	760	28	7.7
Multi-Trac C/S	18x7.00-8	<b>574351</b>	4	18.0	7.0	5.38	785	26	9.0
Turf Master	18x8.50-8	<b>5114041</b>	4	18.3	8.1	7.00	825	22	10.7
Multi-Trac C/S	18x8.50-8	<b>574365</b>	8	17.6	8.3	7.00	1280	44	14.3
Turf Master	18x9.50-8	<b>5114131</b>	4	18.1	9.2	7.00	1040	24	12.4
Multi-Trac C/S	18x9.50-8	<b>574399</b>	6	18.2	9.3	7.00	1295	36	12.3
Multi-Trac C/S	20x8.00-8	<b>6L03221</b>	2	19.2	9.0	7.00	600	10	10.4
Turf Master	20x10.00-8	<b>5114051</b>	4	19.9	10.3	7.00	1200	22	14.7
Multi-Trac C/S	18x8.50-10	<b>5743U11</b>	4	18.0	8.3	7.00	825	22	10.7
Multi-Trac C/S	18x8.50-10	<b>6L0174</b>	6	18.2	8.1	7.00	1050	32	11.0
Multi-Trac C/S	18x10.50-10	<b>5743E51</b>	4	17.9	10.1	8.50	995	20	14.2
Turf Master	20x7.00-10	<b>5114271</b>	4	20.5	7.7	6.00	910	26	12.8
Turf Master	20x8.00-10	<b>5114281</b>	4	20.2	8.1	6.00	910	24	14.2
Turf Master	20x10.00-10	<b>5114161</b>	4	20.0	8.8	6.00	1170	22	13.9
Turf Master	20x10.00-10	<b>6L07411</b>	6	19.5	9.5	7.00	1430	32	15.7
Turf Master	20x12.00-10	<b>511257</b>	4	20.1	10.3	8.00	1320	20	14.1
Turf Master	22x10.00-10	<b>511256</b>	4	22.1	9.8	7.00	1360	22	15.8
Turf Master	22x11.00-10	<b>5112551</b>	4	21.7	10.1	7.00	1480	22	15.5
Turf Master	22x9.50-12	<b>5114331</b>	4	22.0	9.2	7.00	1305	24	16.3
Turf Master	23x8.50-12	<b>511419</b>	4	22.9	8.4	7.00	1100	22	15.6
Multi-Trac C/S	23x8.50-12	<b>574372</b>	6	22.5	8.3	7.00	1430	34	18.6
Turf Master	23x9.50-12	<b>6L08381</b>	4	23.0	9.2	7.00	1230	20	17.0
Turf Master	23x10.50-12	<b>5114081</b>	4	23.3	10.0	8.50	1390	20	17.5
Multi-Trac C/S	23x10.50-12	<b>574353</b>	6	22.5	10.2	8.50	1760	32	22.6
Turf Master	24x9.50-12	<b>6L08371</b>	4	23.6	9.5	7.00	1500	24	17.7
Multi-Trac C/S	25x9.00-12	<b>574368</b>	4	24.9	9.5	8.00	1520	24	17.5

All Outdoor Power Equipment are Non-Highway Service (NHS) Tires. † Indicates mounted diameter and mounted width





**TURF MASTER®/ MULTI-TRAC C/S** (continued)

TIRE	SIZE	PRODUCT CODE	PLY	DIAMETER†	WIDTH†	RIM WIDTH	MAX LOAD @ 10 MPH	MAX PSI	TIRE WEIGHT
Multi-Trac C/S	25x11.00-12	<b>574369</b>	4	25.2	10.8	8.00	1825	24	22.0
Turf Master	24x12.00-12	<b>5114091</b>	4	23.6	11.4	8.50	1710	20	22.6
Multi-Trac C/S	26x9.50-12	<b>6L04091</b>	4	25.5	9.3	7.00	1520	20	20.8
Multi-Trac C/S	26x12.00-12	<b>5743611</b>	4	25.4	11.4	8.50	1760	20	25.5
Multi-Trac C/S	26x12.00-12	<b>5743771</b>	6	25.6	11.5	8.50	2270	30	26.6
Multi-Trac C/S	24x8.50-14	<b>574324</b>	4	23.8	8.4	7.00	1230	22	17.7
Multi-Trac C/S	25x8.50-14	<b>574339</b>	4	25.0	8.6	7.00	1320	22	20.8
Multi-Trac C/S	25x8.50-14	<b>574371</b>	6	24.9	8.6	7.00	1650	32	23.9
Multi-Trac C/S*	27x8.50-15	<b>574348</b>	4	26.6	8.5	7.00	1230	30	26.2
Multi-Trac C/S*	27x8.50-15	<b>574356</b>	6	26.6	8.6	7.00	1570	45	25.9
Multi-Trac C/S*	27x10.50-15	<b>5743H6</b>	4	26.9	10.2	8.50	1320	30	30.1
Multi-Trac C/S*	27x10.50-15	<b>560371</b>	8	27.0	10.5	8.50	1870	60	32.1
Multi-Trac C/S*	29x12.50-15	<b>560478</b>	10	29.0	12.5	10.00	2470	60	39.7
Multi-Trac C/S*	31x13.50-15	<b>560362</b>	4	31.5	13.5	10.00	1650	20	46.1

All Outdoor Power Equipment are Non-Highway Service (NHS) Tires.

† Indicates mounted diameter and mounted width

\*NOTE: Max load @ 30 MPH


*TURF SMART*
*ULTRA TRAC*

## TURF SMART®

The Turf Smart tire provides traction, turf protection and durability for all of your grounds care needs. Traction is enhanced through an innovative tread design featuring a self-cleaning Groove Ejection System which helps to keep the tread pattern fully engaged with the turf. This provides consistent performance required by grounds care professionals. Used primarily on ZTRs, riding mowers and other grounds care equipment.

SIZE	PRODUCT CODE	PLY	DIAMETER†	WIDTH†	RIM WIDTH	MAX LOAD @ 10 MPH	MAX PSI	TIRE WEIGHT
18x8.50-8	<b>6L01801</b>	4	18.3	8.4	7.00	825	22	9.6
18x8.50-10	<b>6L01791</b>	4	18.0	8.0	7.00	825	22	10.9
20x8.00-10	<b>6L01781</b>	4	19.8	7.8	6.00	910	24	11.0
20x10.00-8	<b>6L01771</b>	4	20.0	9.9	7.00	1200	22	12.4
20x10.00-10	<b>6L01761</b>	4	19.8	9.9	8.00	1170	22	13.0
22x11.00-10	<b>6L01751</b>	4	21.9	10.4	7.00	1480	22	19.0
22x9.50-12	<b>6L0162</b>	4	21.6	9.0	7.00	1170	20	15.0
23x9.50-12	<b>6L0161</b>	4	22.9	9.2	7.00	1230	20	16.3
23x10.50-12	<b>6L0160</b>	4	22.8	10.5	8.50	1320	20	17.2
24x9.50-12	<b>6L0159</b>	4	23.6	9.4	7.00	1360	20	17.0
24x12.00-12	<b>6L0055</b>	4	23.4	11.4	8.50	1710	20	21.0
26x12.00-12	<b>6L0220</b>	4	25.8	12.2	9.50	1760	20	24.8

All Outdoor Power Equipment are Non-Highway Service (NHS) Tires.

† Indicates mounted diameter and mounted width

## ULTRA TRAC

The Ultra Trac tire is the right approach for those specialized applications where high flotation and turf preservation is essential. With a wide, flat footprint and reduced void in the tread it offers maximum turf protection. Ultra Trac tires are most often utilized on golf and grounds maintenance equipment.

SIZE	PRODUCT CODE	PLY	DIAMETER†	WIDTH†	RIM WIDTH	MAX LOAD @ 10 MPH	MAX PSI	TIRE WEIGHT
24x13.00-12	<b>529368</b>	4	23.0	12.9	10.50	1760	18	27.0
24x13.00-12	<b>529387</b>	6	23.4	12.9	10.50	2270	28	28.4
26.5x14.00-12	<b>529386</b>	4	26.5	14.4	10.50	2150	18	33.3
29x14.00-15*	<b>5293E6</b>	6	28.6	14.3	11.00	1710	30	47.3

All Outdoor Power Equipment are Non-Highway Service (NHS) Tires.

† Indicates mounted diameter and mounted width

\*NOTE: Max load @ 30 MPH



**FAST TRAX®**

The Fast Trax tire offers increased traction combined with a low profile and is typically used on professional riding mowers where hillside traction is desired.

SIZE	PRODUCT CODE	PLY	DIAMETER†	WIDTH†	RIM WIDTH	MAX LOAD @ 10 MPH	MAX PSI	TIRE WEIGHT
18x11.00-10	<b>501043</b>	4	17.7	9.7	8.50	1100	22	13.0

All Outdoor Power Equipment are Non-Highway Service (NHS) Tires.  
 † Indicates mounted diameter and mounted width



**TURF CTR**

The Turf CTR tire is a broad shouldered, low impact tire used on professional ZTR mowers when treading lightly is critical.

SIZE	PRODUCT CODE	PLY	DIAMETER†	WIDTH†	RIM WIDTH	MAX LOAD @ 10 MPH	MAX PSI	TIRE WEIGHT
22x11.00-8	<b>511501</b>	4	22.4	10.8	9.00	935	10	14.3

All Outdoor Power Equipment are Non-Highway Service (NHS) Tires.  
 † Indicates mounted diameter and mounted width



SMOOTH

STRAIGHT RIB

**TRANSPORT VEHICLES, RIDING MOWERS, GARDEN TRACTORS, FARM EQUIPMENT AND WHEELBARROWS**
**SMOOTH**

Commonly used on front swivel casters for professional ZTR mowers, the Smooth tire has tapered edges to facilitate easy swivel action without turf damage. The Smooth tire contains specially formulated rubber compounds for professional grade durability.

SIZE	PRODUCT CODE	PLY	DIAMETER†	WIDTH†	RIM WIDTH	MAX LOAD @ 10 MPH	MAX PSI	TIRE WEIGHT
8x3.00-4	<b>5120081</b>	4	8.2	2.9	2.50	120	30	1.6
9x3.50-4	<b>5120101</b>	4	8.9	3.7	2.50	260	50	2.5
11x4.00-5	<b>5120111</b>	4	11.2	4.1	3.50	330	46	2.9
11x6.00-5	<b>5100521</b>	4	11.1	5.2	3.25	450	42	4.4
13x5.00-6	<b>5120211</b>	4	12.7	4.8	3.50	440	40	4.2
13x6.50-6	<b>5121861</b>	4	12.9	5.9	4.50	480	28	5.0
4.80-8	<b>5120511</b>	4	16.8	4.8	3.75	760	70	4.2
18x9.50-8	<b>5109811</b>	4	17.8	9.3	7.00	1020	24	11.0
18x10.50-10	<b>6L0149</b>	4	18.4	9.3	8.00	1100	24	13.2
20x10.00-10	<b>586325</b>	2	19.5	9.5	8.50	815	12	12.9
24x13.00-12	<b>510710</b>	4	23.7	13.1	10.50	1730	18	28.8

All Outdoor Power Equipment are Non-Highway Service (NHS) Tires.

† Indicates mounted diameter and mounted width

**STRAIGHT RIB**

The Straight Rib tire is designed with tread grooves to channel moisture away from the contact patch and provides a slight lateral traction which can be helpful when traversing mild inclines.

SIZE	PRODUCT CODE	PLY	DIAMETER†	WIDTH†	RIM WIDTH	MAX LOAD @ 10 MPH	MAX PSI	TIRE WEIGHT
11x4.00-4	<b>5110921</b>	4	10.4	4.1	2.50	330	46	3.4
11x4.00-5	<b>5180111</b>	4	11.1	4.2	3.00	330	46	3.3
13x5.00-6	<b>5180211</b>	4	12.8	4.7	3.50	440	40	4.1
13x6.50-6	<b>5181861</b>	4	13.0	5.9	4.50	480	28	5.0
15x6.00-6	<b>5180311</b>	4	14.4	6.1	4.50	565	30	5.9
16x6.50-8	<b>5180961</b>	4	16.0	6.5	5.38	615	28	6.7
18x9.50-8	<b>518081</b>	4	17.7	9.3	7.00	1020	24	9.8
20x10.00-10*	<b>5181161</b>	4	20.0	8.8	6.00	1170	22	14.1
26x12.00-12	<b>518711</b>	4	25.0	11.7	10.50	1760	20	20.7

All Outdoor Power Equipment are Non-Highway Service (NHS) Tires.

† Indicates mounted diameter and mounted width

\*NOTE: The 20x10.0-10.0 is called a Turf Glide tire.



### AT101 CHEVRON

AT101 Chevron is a specialty lug design with bars that taper in the shoulder area. This feature, along with muted lug depth, allows it to be used as a drive tire on zero turn mowers when extra traction is needed.

SIZE	PRODUCT CODE	PLY	DIAMETER†	WIDTH†	RIM WIDTH	MAX LOAD @ 10 MPH	MAX PSI	TIRE WEIGHT
21x11.00-8	<b>599044</b>	4	21.0	10.8	8.50	1390	22	17.1
21x11.00-10	<b>599050</b>	4	20.9	10.4	8.50	1390	22	15.7
24x12.00-12	<b>560352</b>	4	24.0	12.0	9.50	1710	20	22.3

All Outdoor Power Equipment are Non-Highway Service (NHS) Tires.  
 † Indicates mounted diameter and mounted width



### RIDING MOWERS, GARDEN TRACTORS, SNOW THROWERS, TILLERS, ATV'S AND UTILITY VEHICLES

### WHEELBARROW

The Wheelbarrow tire is a versatile utility tire. Its rib design provides lateral traction. This tire is an excellent choice for lawn carts, spreaders and wheelbarrows.

SIZE	PRODUCT CODE	PLY	DIAMETER†	WIDTH†	RIM WIDTH	MAX LOAD @ 10 MPH	MAX PSI	TIRE WEIGHT
4.00-6	<b>5134371</b>	2	13.7	4.0	2.50	330	30	2.3
4.80-8	<b>5134511</b>	2	15.8	3.8	2.50	550	30	2.8
4.80-8	<b>5130511</b>	4	16.5	4.6	3.75	765	70	4.1

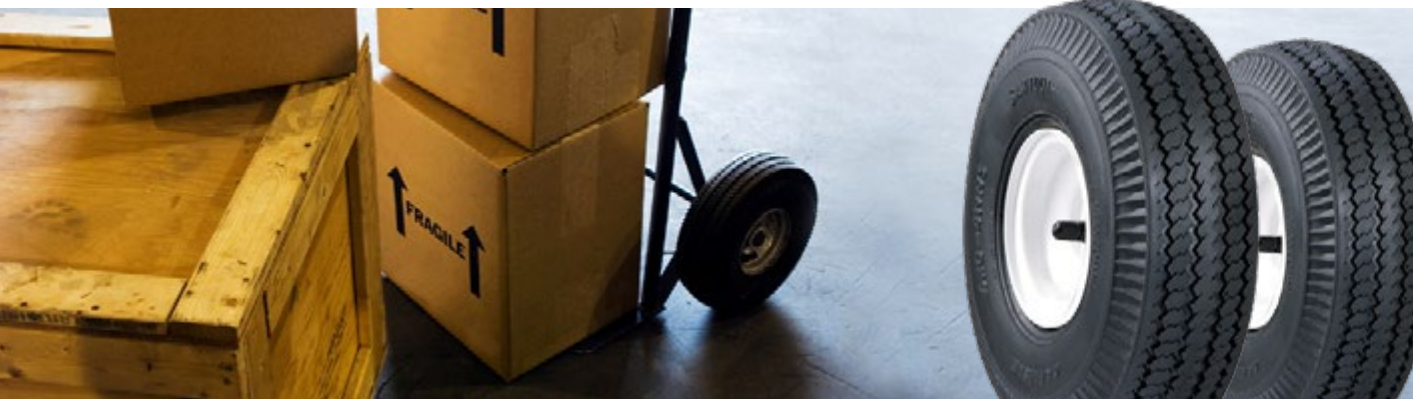
All Outdoor Power Equipment are Non-Highway Service (NHS) Tires.  
 † Indicates mounted diameter and mounted width


**UTILITY CARTS, WHEELBARROWS, PRESSURE WASHERS, GENERATORS, HAND TRUCKS, LAWN EQUIPMENT, AND FUN CARTS**
**STUD**

With its aggressive appearance, the Stud tire grips on a multitude of terrains including soft dirt and snow. Commonly used for utility applications, such as hand trucks, power washers and industrial carts.

SIZE	PRODUCT CODE	PLY	DIAMETER†	WIDTH†	RIM WIDTH	MAX LOAD @ 10 MPH	MAX PSI	TIRE WEIGHT
4.10-4	<b>5160251</b>	2	10.6	3.6	2.50	225	24	2.4
4.10-5	<b>5160301</b>	2	11.6	3.8	3.00	260	24	2.5
4.10-6	<b>5160351</b>	2	12.5	3.9	3.25	290	24	2.7
4.80-8	<b>5160501</b>	2	16.4	4.7	3.75	440	20	4.6
4.80-8	<b>5164291</b>	4	16.3	4.7	3.75	670	42	6.1

All Outdoor Power Equipment are Non-Highway Service (NHS) Tires.  
 † Indicates mounted diameter and mounted width


**SAWTOOTH®**

The Sawtooth tire delivers smooth rolling performance for utility based equipment. Commonly used for wheelbarrows, pressure washers, generators, hand trucks and lawn equipment, the Sawtooth tire is utilized in various applications.

SIZE	PRODUCT CODE	PLY	DIAMETER†	WIDTH†	RIM WIDTH	MAX LOAD @ 10 MPH	MAX PSI	TIRE WEIGHT
2.80-4	<b>5190011</b>	4	9.0	2.9	2.50	180	50	1.6
4.10-4	<b>5190251</b>	2	10.6	3.6	2.50	225	24	2.4
4.10-4	<b>5190261</b>	4	10.6	3.7	2.50	350	50	2.7
4.10/3.50-6	<b>5190361</b>	4	13.1	4.2	3.25	495	85	4.0
5.30/4.50-6	<b>519067</b>	6	14.6	5.3	3.50	885	95	5.6
4.80/4.00-8	<b>5190501</b>	2	16.0	4.6	3.75	510	35	4.8

All Outdoor Power Equipment are Non-Highway Service (NHS) Tires.  
 † Indicates mounted diameter and mounted width



RIDING MOWERS, GARDEN TRACTORS, SNOW THROWERS, TILLERS, ATV'S AND UTILITY VEHICLES

**SUPER LUG, POWER TRAC AND TRU POWER**

Super Lug, Power Trac and Tru Power tires are most often found on garden tractors, tillers and trenchers. This powerful line is the right choice whenever the application requires substantial traction.

TIRE	SIZE	PRODUCT CODE	PLY	DIAMETER†	WIDTH†	RIM WIDTH	MAX LOAD @ 10 MPH	MAX PSI	TIRE WEIGHT
Super Lug	13x5.00-6	<b>5100201</b>	2	13.1	4.5	3.50	290	20	4.0
Super Lug	14x4.50-6	<b>5100251</b>	2	14.5	4.4	3.25	320	20	3.9
Super Lug	16x6.50-8	<b>5100961</b>	4	16.5	6.3	5.38	615	28	8.1
Power Trac	4.80-8	<b>5109501</b>	2	16.2	4.1	2.50	440	20	5.3
Super Lug	18x9.50-8	<b>5100801</b>	2	18.0	8.7	7.00	695	12	13.5
Super Lug	20x10.00-8	<b>6L03301</b>	4	20.1	10.0	7.00	1200	22	16.7
Tru Power	18x8.50-10	<b>5233111</b>	4	18.1	7.8	6.00	825	22	11.5
Tru Power	6-12	<b>5233C3</b>	4	22.8	5.5	4.00	590	28	12.8
Tru Power	23x8.50-12	<b>523301</b>	4	22.6	8.3	7.00	1100	22	16.3
Tru Power	23x10.50-12	<b>523367</b>	4	23.3	10.4	7.00	1390	20	25.4
Tru Power	26x12.00-12	<b>523361</b>	4	25.6	12.3	8.50	1760	20	32.4
Tru Power	26x12.00-12	<b>523360</b>	8	25.6	12.3	10.50	3000	42	38.4
Tru Power*	29x12.50-15	<b>5233D4</b>	6	29.3	11.6	10.00	1650	30	43.6
Tru Power*	31x15.50-15	<b>5233A4</b>	8	31.4	15.1	13.00	2760	45	73.5

All Outdoor Power Equipment are Non-Highway Service (NHS) Tires.

† Indicates mounted diameter and mounted width

\*NOTE: Max load at 30 MPH



SUPER LUG

POWER TRAC

TRU POWER


**HAND TRUCKS, WHEELBARROWS, TURF AND CHORE APPLICATIONS**
**FLAT FREE**

Carlisle branded flat free full assemblies are made with solid micro-cellular polyurethane material to reduce flat returns. With its flat-free technology, no maintenance is required.

SIZE	PRODUCT CODE	TREAD	HUB	BEARINGS	DIAMETER††	WIDTH†	TIRE + WHEEL WEIGHT	WEIGHT CAPACITY	CASE QTY
Universal Wheelbarrow	<b>483791</b>	Ribbed	3" Centered with Spacers	5/8" & 3/4"	14.5	3.2	6.0	300	6
Universal Hand Truck	<b>483811</b>	Sawtooth	2.25" Offset with Spacers	5/8" & 3/4"	10.3	3.2	3.8	300	6
2.80/2.50-4	<b>483871</b>	Sawtooth	3" Centered	1/2" Precision	8.4	3.0	3.0	275	6
9x3.50-4	<b>483831</b>	Smooth	4" Centered	3/4" Bushing	9.3	3.2	3.9	300	6
4.10/3.50-4	<b>483801</b>	Sawtooth	2.25" Offset	5/8" Precision	10.4	3.4	4.0	300	6
11x4.00-5	<b>483821</b>	Smooth	5" Centered	5/8" Bushing	10.7	4.0	5.8	350	6
4.00-6	<b>483771</b>	Ribbed	3" Centered	5/8" Precision	13.2	3.2	5.1	300	6
13x5.00-6	<b>483851</b>	Turf	3" Centered	3/4" Bushing	13.3	4.5	8.1	400	3
13x6.50-6	<b>483841</b>	Turf	3" Centered	3/4" Bushing	13.5	6.2	11.5	400	3
15x6.50-6	<b>483861</b>	Turf	3" Centered	3/4" Bushing	14.0	6.3	12.1	500	3
4.80/4.00-8	<b>483761</b>	Ribbed	6" Centered	5/8" Precision	15.5	3.4	8.1	500	6
4.80/4.00-8	<b>483781</b>	Ribbed	3" Centered	3/4" Precision	15.5	3.4	8.0	500	6

All Outdoor Power Equipment are Non-Highway Service (NHS) Tires.

† Indicates mounted diameter and mounted width

†† Indicates overall diameter

**GOLF CARS AND UTILITY VEHICLES**
**TOUR MAX®**

The Tour Max tire is a smooth riding tire designed primarily for golf cars and closed community vehicles. The tread pattern, rubber compound and tire construction provide durability as well as ride comfort on hard surface paths.

SIZE	PRODUCT CODE	PLY	DIAMETER†	WIDTH†	RIM WIDTH	MAX LOAD @ 10 MPH	MAX PSI	TIRE WEIGHT
18x8.50-8	<b>6L02221</b>	4	17.7	8.4	7.00	825	22	9.9
18.5x8.50-8	<b>5191481</b>	LR B	18.1	8.1	7.00	675	30	11.7
205/50-10	<b>5191461</b>	LR B	18.7	7.6	7.00	675	30	11.8

All Outdoor Power Equipment are Non-Highway Service (NHS) Tires. † Indicates mounted diameter and mounted width





## TURF GLIDE

One of the original golf car tires, the Turf Glide tire has a tall sidewall to absorb impact and a turf-friendly round contour profile.

SIZE	PRODUCT CODE	PLY	DIAMETER†	WIDTH†	RIM WIDTH	MAX LOAD @ 10 MPH	MAX PSI	TIRE WEIGHT
8.00-6 *	<b>508040</b>	4	17.6	7.1	3.25	410	20	8.0

All Outdoor Power Equipment are Non-Highway Service (NHS) Tires. † Indicates mounted diameter and mounted width \*NOTE: Turf Glide is a Tube Type (TT) Tire.

## LINKS®

The Links tire is a premier tire for the golf car market featuring a wide footprint, strong sidewall and wear-resistant rubber compound providing unmatched stability and durability.

SIZE	PRODUCT CODE	PLY	DIAMETER†	WIDTH†	RIM WIDTH	MAX LOAD @ 10 MPH	MAX PSI	TIRE WEIGHT
18x8.50-8	<b>5192711</b>	4	17.4	8.6	7.00	825	22	11.7

All Outdoor Power Equipment are Non-Highway Service (NHS) Tires. † Indicates mounted diameter and mounted width



Tour Max

Turf Glide

Links

Fairway Pro

## FAIRWAY PRO

The Fairway Pro tire is an excellent value providing long hours of dependable performance on the course or park grass.

SIZE	PRODUCT CODE	PLY	DIAMETER†	WIDTH†	RIM WIDTH	MAX LOAD @ 10 MPH	MAX PSI	TIRE WEIGHT
18x8.50-8	<b>5189761</b>	4	18.2	8.4	7.00	825	22	11.5

All Outdoor Power Equipment are Non-Highway Service (NHS) Tires. † Indicates mounted diameter and mounted width

## CLASSIC RB

Classic RB is a high load capacity tire with a broad footprint for maximum turf protection.

SIZE	PRODUCT CODE	PLY	DIAMETER†	WIDTH†	RIM WIDTH	MAX LOAD @ 10 MPH	MAX PSI	TIRE WEIGHT
18x9.50-8	<b>5832D8</b>	10	17.6	8.7	7.00	1780	60	13.4

All Outdoor Power Equipment are Non-Highway Service (NHS) Tires. † Indicates mounted diameter and mounted width


**HARD SURFACE UTILITY VEHICLE**
**INDUSTRIAL TRAX**

The Industrial Trax tire is designed for hard surface utility vehicle applications such as concession vehicles on golf courses.

SIZE	PRODUCT CODE	PLY	DIAMETER†	WIDTH†	RIM WIDTH	MAX LOAD @ 10 MPH	MAX PSI	TIRE WEIGHT
20x10.00-10	<b>599581</b>	4	20.0	10.0	8.00	1170	22	13.7
23x10.50-12	<b>599045</b>	4	22.5	10.4	8.50	1340	20	21.8
25x8.50-12	<b>560445</b>	6	24.8	8.5	7.00	1650	30	19.0
25x10.50-12	<b>560446</b>	6	25.0	10.5	7.00	1980	30	29.2

All Outdoor Power Equipment are Non-Highway Service (NHS) Tires.  
† Indicates mounted diameter and mounted width


**SNOW HOG**

With its distinctive "X" shaped tread elements, the Snow Hog tire has an aggressive design made to plow through soft terrain. Used primarily for snow-blowers.

SIZE	PRODUCT CODE	PLY	DIAMETER†	WIDTH†	RIM WIDTH	MAX LOAD @ 10 MPH	MAX PSI	TIRE WEIGHT
4.10-4	<b>5170041</b>	2	11.0	3.7	2.50	225	24	2.8
4.10-6	<b>5170051</b>	2	12.8	4.0	3.25	290	24	3.2
15x5.00-6	<b>5170081</b>	2	14.8	5.0	3.50	405	20	4.8
4.80-8	<b>5170011</b>	2	16.2	4.7	3.75	440	20	5.5
16x6.50-8	<b>5170021</b>	2	16.4	6.2	5.38	410	14	6.2
18x6.50-8	<b>5170101</b>	4	17.2	6.6	5.38	760	28	7.6

All Outdoor Power Equipment are Non-Highway Service (NHS) Tires.  
† Indicates mounted diameter and mounted width



RIDING MOWERS, GARDEN TRACTORS, SNOW THROWERS, TILLERS, ATV'S AND UTILITY VEHICLES

**XTRAC®**

The XTRAC tire is excellent for snow throwing equipment and other applications requiring aggressive traction. It features a unique lug design for traction across the entire face of the tire.

SIZE	PRODUCT CODE	PLY	DIAMETER†	WIDTH†	RIM WIDTH	MAX LOAD @ 10 MPH	MAX PSI	TIRE WEIGHT
13x4.00-6	<b>5170151</b>	2	12.8	4.0	3.25	280	22	3.5
13x5.00-6	<b>5170161</b>	2	12.9	4.7	3.50	290	20	4.6
15x5.00-6	<b>5170171</b>	2	14.6	5.1	3.50	395	20	5.3
4.80-8	<b>5170111</b>	2	16.6	4.7	3.75	440	20	5.8
16x6.50-8	<b>5170181</b>	2	16.4	6.0	5.38	410	14	7.0

All Outdoor Power Equipment are Non-Highway Service (NHS) Tires.  
 † Indicates mounted diameter and mounted width





TUBES / FLAPS



**LAWN AND GARDEN, INDUSTRIAL, TRAILER**

SIZE	PRODUCT CODE	VALVE	VALVE ON/OFF-CENTER	UNIT WEIGHT	UNITS / CASE
2.80/2.50 - 4	<b>320050</b>	TR87	ON	0.3	10
2.80/2.50 - 4	<b>320010</b>	JS87P	ON	0.3	10
9 x 3.50 - 4	<b>320030</b>	TR87	ON	0.4	10
9 x 3.50 - 4	<b>320031</b>	JS87P	ON	0.4	10
4.10/3.50 - 4	<b>320100</b>	TR87	5 mm	0.4	10
4.10/3.50 - 4	<b>320040</b>	TR13	5 mm	0.4	10
4.10/3.50 - 4	<b>320020</b>	JS87P	5 mm	0.4	10
3.40/3.00 - 5	<b>320150</b>	TR87	10 mm	0.4	10
4.10/3.50 - 5	<b>320200</b>	TR87	10 mm	0.6	10
4.10/3.50 - 5	<b>320070</b>	TR13	10 mm	0.5	10
4.10/3.50 - 5	<b>320060</b>	JS87P	10 mm	0.5	10
11x4.00 - 5	<b>320080</b>	TR87	20 mm	0.5	10
11 x 6.00 - 5	<b>323520</b>	TR87	10 mm	0.6	10
4.10/3.50 - 6	<b>320250</b>	TR87	ON	0.5	10
4.10/3.50 - 6	<b>320160</b>	TR13	10 mm	0.6	10
13 x 5.00 - 6	<b>320260</b>	TR87	10 mm	0.6	10
13 x 5.00 - 6	<b>323790</b>	TR13	10 mm	0.6	10
13x6.50 - 6	<b>320170</b>	TR13	10 mm	0.6	10
5.30/4.50 - 6	<b>320270</b>	TR87	10 mm	0.6	10
15 x 6.00 - 6	<b>320290</b>	TR87	20 mm	0.8	10
15 x 6.00 - 6	<b>323800</b>	TR13	20 mm	0.8	10
3.50/4.00 - 8	<b>320120</b>	TR13	ON	0.5	10
3.50/4.00 - 8	<b>320360</b>	TR87	ON	0.5	10
4.80/4.00 - 8	<b>320400</b>	TR13	10 mm	0.5	10
4.80/4.00 - 8	<b>320130</b>	TR87	10 mm	0.6	10
5.70/5.00 - 8	<b>320450</b>	TR13	25 mm	1.0	10
16 x 6.50/7.50 - 8	<b>320420</b>	TR13	25 mm	1.0	10
20x7 - 8	<b>320140</b>	TR6	25 mm	1.6	10
18.00x6.50/8.50/9.50-8 20x8.00/10.00-8	<b>320410</b>	TR13	25 mm	1.6	10
6.90/6.00 - 9	<b>321500</b>	TR13	25 mm	1.5	10
20 x 8.00/10.00 - 10	<b>320770</b>	TR13	20 mm	1.8	10
6.00-12	<b>323843</b>	TR13	20 mm	1.8	10
4.80/5.30-12 COMBO	<b>320901</b>	TR13	20 mm	1.3	10
23x8.50/9.50/10.50-12	<b>321370</b>	TR13	25 mm	3.3	10
26 x 12 - 12	<b>321050</b>	TR13	40 mm	3.4	10
23x8.50/9.50/10.50-12	<b>321370</b>	TR13	25 mm	3.3	10
26 x 12 - 12	<b>321050</b>	TR13	40 mm	3.4	10

**RADIAL ATV**

SIZE	PRODUCT CODE	VALVE	VALVE ON/OFF-CENTER	UNIT WEIGHT	UNITS / CASE
AT16x8.00R7	<b>320035</b>	TR6	20 mm	1.4	10
AT21/22x11/12R8	<b>320440</b>	TR6	25 mm	1.6	10
20x7.00R8	<b>320141</b>	TR6	25 mm	1.6	10
AT25x12/13R9	<b>321520</b>	TR6	35 mm	2.2	10
AT22/23x8R11/12	<b>321371</b>	TR6	25 mm	3.3	10

**RADIAL ATV (continued)**

SIZE	PRODUCT CODE	VALVE	VALVE ON/OFF-CENTER	UNIT WEIGHT	UNITS / CASE
AT24/26x12R12	<b>321051</b>	TR6	40 mm	3.4	10
AT26x8/9R14	<b>324500</b>	TR6	30 mm	2.0	10

**RADIAL PASSENGER**

SIZE	PRODUCT CODE	VALVE	VALVE ON/OFF-CENTER	UNIT WEIGHT	UNITS / CASE
ER12/13	<b>322160</b>	TR13	20 mm	0.9	10
FR13/14	<b>322010</b>	TR13	20 mm	1.6	10
FR15	<b>322170</b>	TR13	20 mm	1.4	10
GR/KR16	<b>322050</b>	TR13	25 mm	2.0	10
KR14/15	<b>322030</b>	TR13	30 mm	2.4	10
MR14/15	<b>322040</b>	TR13	25 mm	2.8	10
GR/KR16	<b>322190</b>	TR15CW	25 mm	1.8	10
MR14/15	<b>322040</b>	TR13	25 mm	2.8	10
GR/KR16	<b>322190</b>	TR15CW	25 mm	1.8	10

**RADIAL LIGHT TRUCK**

SIZE	PRODUCT CODE	VALVE	VALVE ON/OFF-CENTER	UNIT WEIGHT	UNITS / CASE
7.00/7.50R15LT	<b>322070</b>	TR150	25 mm	2.4	10
7.00/7.50R15LT	<b>322230</b>	TR13CW	25 mm	2.3	10
7.00/7.50R16LT	<b>322060</b>	TR150	25 mm	2.5	10
7.00/7.50R16LT	<b>322200</b>	TR13	25 mm	2.5	10
7.00/7.50R16LT	<b>322210</b>	TR440	ON	2.6	10
7.00/7.50R16LT	<b>322220</b>	TR15CW	25 mm	2.5	10
7.00/7.50R16LT	<b>322430</b>	TR13CW	25 mm	2.4	10
7.00/7.50R17/18	<b>322440</b>	TR440	ON	3.5	10

**RADIAL HEAVY TRUCK**

SIZE	PRODUCT CODE	VALVE	VALVE ON/OFF-CENTER	UNIT WEIGHT	UNITS / CASE
8.25R20	<b>322080</b>	TR442	ON	4.9	4
9.00R20	<b>322090</b>	TR443	ON	6.5	4
10.00R20 12/80R20	<b>322100</b>	TR444	ON	7.3	4
11.00R20 13/80R20	<b>322110</b>	TR444	ON	8.4	4
12.00R 20 14/80R20	<b>322460</b>	TR444	ON	8.6	4
10.00R22	<b>322270</b>	TR444	ON	8.1	4
11.00R22	<b>322280</b>	TR444	ON	8.1	4

**HEAVY DUTY BIAS**

SIZE	PRODUCT CODE	VALVE	VALVE ON/OFF-CENTER	UNIT WEIGHT	UNITS / CASE
10.00 - 20	<b>322330</b>	TR444	ON	6.8	6

**RV AND WIDE BASE TRUCK BIAS AND SKID STEER**

SIZE	PRODUCT CODE	VALVE	VALVE ON/OFF-CENTER	UNIT WEIGHT	UNITS / CASE
10/11R15LT	<b>322310</b>	TR13	45 mm	4.4	6

For tube stem and valve stem information and specifications, refer to most recent Tire and Rim Association publications.



**LOW PLATFORM RADIAL**

SIZE	PRODUCT CODE	VALVE	VALVE ON/OFF-CENTER	UNIT WEIGHT	UNITS / CASE
7.00/7.50R15TR	322450	TR440	ON	2.4	6
8.25R15TR	322240	TR444	ON	3.1	6
9.00/10.00/11.00R15TR	322250	TR444	ON	3.9	6

**MOBILE HOME BIAS**

SIZE	PRODUCT CODE	VALVE	VALVE ON/OFF-CENTER	UNIT WEIGHT	UNITS / CASE
7/8/9 - 14.5MH	322290	TR300	25 mm	2.9	6

**OTR/CONSTRUCTION/SKID STEER**

SIZE	PRODUCT CODE	VALVE	VALVE ON/OFF-CENTER	UNIT WEIGHT	UNITS / CASE
8.3/9.5/12.5 - 18/20	322000	TR15CW	33 mm	3.8	6
13.00/14.00 - 24 TG	322340	TR220A	55 mm	16.9	1

**RADIAL OTR/CONSTRUCTION/SKID STEER**

SIZE	PRODUCT CODE	VALVE	VALVE ON/OFF-CENTER	UNIT WEIGHT	UNITS / CASE
14R17.5	323111	TR300		5.5	3
15R19.5	323131	TR15CW	60 mm	7.1	3
13.00/14.00R24TG	322341	TR220A	55 mm	16.9	1
20.5R25	323671	TRJ1175C	ON	18.7	1
23.5R25	323681	TRJ1175C	ON	25.5	1

**HEAVY DUTY INDUSTRIAL LIFT/FORK TRUCK MINING**

SIZE	PRODUCT CODE	VALVE	VALVE ON/OFF-CENTER	UNIT WEIGHT	UNITS / CASE
5.70/5.00-8NHS	323820	JS2	10 mm	1.0	36
4.80/4.00-8/9NHS	322410	JS2	10 mm	0.8	12
6.50-10	323840	JS2	12 mm	1.5	22
7.00-12NHS	322420	TR440	ON	2.1	6
7.50/8.25-15	323850	TR440	ON	2.5	14
28/29 x 8/9 - 15	323860	TR440	ON	2.5	14
28x12-15	323900	TR440	ON	3.7	10
29x8-15	323920	TR440	ON	2.5	14
2.50-15	323880	TR440	ON	2.5	11
3.00-15	323890	TR440	ON	3.8	10
32x12-15	323910	TR440	ON	3.7	10
8.25-15	323870	TR442	ON	3.5	12

**FARM FRONT BIAS**

SIZE	PRODUCT CODE	VALVE	VALVE ON/OFF-CENTER	UNIT WEIGHT	UNITS / CASE
4.00/5.50/5.90/6.00-15SL	322350	TR15	20 mm	1.4	6
5.50/5.90/6.00/6.40-15/16SL	322120	TR15	20 mm	1.8	6
6.50/7.00/7.50/7.60/8.00-15/16	322360	TR15	25 mm	2.5	6
10.00-15/16SL	322130	TR15CW	25 mm	4.1	6
11.00-16SL	322370	TR15CW	50 mm	3.9	6
6.50/7.00/7.50-18SL	322140	TR15	25 mm	2.9	6
4.00-18/19SL	322380	TR15	15 mm	1.3	6
8.3/9.5/12.5-18/20	322000	TR15CW	33 mm	3.8	6

**REAR FARM RADIAL**

SIZE	PRODUCT CODE	VALVE	VALVE ON/OFF-CENTER	UNIT WEIGHT	UNITS / CASE
9/9.5/10/11.2/12.40R24	323960	TR218A	50 mm	6.7	4
7.50R24SL, 7.5/8.3/9.5R24	323601	TR218A	40 mm	6.6	8
13.6/14.9R24	323950	TR218A	55 mm	10.0	3
14.9R/16.9R/17.5LR24	323760	TR218A	70 mm	12.8	3
18.4R/19.5LR/21LR24	323770	TR218A	70 mm	16.3	2
11.2/12.4R28 11.25R28SL	323591	TR218A	66 mm	8.5	3
13.6/14.9R28/30	323750	TR218A	83 mm	12.1	3
13.6/14.9R26/28	324110	TR218A	58 mm	10.6	3
16.9/18.4R26/28	323730	TR218A	89 mm	14.9	2
14.9R30	323741	TR218A	84 mm	13.2	3
16.9/18.4R30	323780	TR218A	89 mm	16.7	2
11.2R34 11.2/12.4R36	323651	TR218A	70 mm	9.1	3
24.5R32	323742	TR218A	125 mm	24.8	2
13.6/14.9R34	324120	TR218A	58 mm	12.1	3
16.9/18.4R34	323700	TR218A	89 mm	18.2	2
13.6/14.9R36	323621	TR218A	83 mm	15.4	3
11.2/12.4R38	323631	TR218A	70 mm	9.1	3
14.9R36 13.6/14.9/15.5R-38	323720	TR218A	83 mm	15.4	3
16.9/18.4R38	323690	TR218A	89 mm	19.4	2
20.8R38	323710	TR218A	90 mm	25.3	2
18.4R20.8R42	323740	TR218A	90 mm	20.5	2
16.9/18.4R46	323693	TR218A	50 mm	22.6	2

**HD SEVERE SERVICE-REAR FARM RADIAL**

SIZE	PRODUCT CODE	VALVE	VALVE ON/OFF-CENTER	UNIT WEIGHT	UNITS / CASE
16.9/18.4R38	323691	TR218A	89 mm	21.4	1
18.4/20.8R42	323692	TR218A	90 mm	26.0	1
16.9/18.4R46	323694	TR218A	50 mm	25.8	1

For tube stem and valve stem information and specifications, refer to most recent Tire and Rim Association publications.

**FARM IMPLEMENT BIAS**

SIZE	PRODUCT CODE	VALVE	VALVE ON /OFF -CENTER	UNIT WEIGHT	UNITS / CASE
8.5/9.5/11L-14; 8.5/9.5L-15	<b>322390</b>	TR13	25 mm	2.9	6
11L-15/16SL	<b>322150</b>	TR218A	25 mm	4.2	6
11L-15/16SL	<b>322400</b>	TR15CW	25 mm	3.8	6
12.5L-15/16SL	<b>322470</b>	TR218A	45 mm	3.8	6
12.5L-15/16SL	<b>323810</b>	TR15CW	45 mm	3.8	6
13.6/14L-16.1	<b>320032</b>	TR218A	45 mm	7.2	7
16.5/18.4L-16.1	<b>320033</b>	TR218A	65 mm	10.1	4
21.5L-16.1	<b>320034</b>	TR218A	90 mm	12.1	2

**TUBELESS VALVE STEMS**

SIZE	PRODUCT CODE	VALVE	VALVE ON /OFF -CENTER	UNIT WEIGHT	UNITS / CASE
TR412	<b>010200000007</b>	0.453	0.88	4.4	6
TR413	<b>010200000005</b>	0.453	1.25	4.4	6
TR600HP*	<b>010200000008</b>	0.453	1.27	4.4	6

\* High Pressure

**RADIAL INDUSTRIAL FLAPS**

SIZE	PRODUCT CODE	VALVE ON /OFF -CENTER	UNIT WEIGHT	UNITS / CASE
8R3.0	<b>5508</b>	13 mm	0.4	20
8R7.0	<b>12311</b>	ON	1.7	15
9R6.7	<b>11009</b>	10 mm	0.8	20
10R6.7	<b>12310</b>	10 mm	1.1	15
12R6.0	<b>12812</b>	ON	1.4	15
15R10.00	<b>19015</b>	ON	3.9	10
16R6.50/7.00/7.50/8.25	<b>17016</b>	25 mm	2.6	14
15R6.50/7.00/7.50/8.25	<b>17015</b>	ON	2.4	14
20R7.50/8.25	<b>17020</b>	ON	3.2	12
20R8.25	<b>18020</b>	ON	3.8	8
20R9.00/10.00	<b>20520</b>	ON	4.6	7
22R10.00/11.00	<b>20522</b>	ON	5.3	6
20R11.00/12.00	<b>21020</b>	ON	5.5	6
20R13.00/14.00	<b>23020</b>	ON	6.5	4
24R11.1 - Valve Hole 1.2"	<b>19016</b>	32 mm	6.9	4
24R11.1 Center Valve Hole	<b>21024</b>	ON	6.9	5

For tube stem and valve stem information and specifications, refer to most recent Tire and Rim Association publications.





## INNER TUBE FITMENT CHART

SIZE	PRODUCT CODE	VALVE	VALVE ON/OFF - CENTER	ALSO FITS
4.10/3.50-4	320100	TR-87	5 mm	11 x 4.00 - 4
4.10/3.50 - 5	320200	TR-87	10 mm	11 x 4.00 - 5
13 x 5.00 - 6	320260	TR-87	10 mm	12 x 5.00 - 6, 14 x 4.50 - 6
5.30/4.50 - 6	320270	TR-87	25 mm	13 x 6.50 - 6, 14.5/7.00 - 6
18 x 6.50/7.50 - 8	320410	TR-13	25 mm	18 x 8.50/9.50 - 8, 20 x 8.00/9.00/10.00 - 8
23 x 8.50/9.50 - 12	321370	TR-13	25 mm	22 x 7.50/9.00 - 12, 23/24 x 10.50 - 12
26 x 12.00 - 12	321050	TR-13	40 mm	24 x 12.00 - 12, 26 x 10.50 - 12

## RADIAL ATV TUBE FITMENT CHART

SIZE	PRODUCT CODE	VALVE	VALVE ON/OFF - CENTER	ALSO FITS
AT21/22 x 11/12R8	320440	TR6	25 mm	18 x 8-8, AT20 x 7-8, AT22 x 9R8, AT21 x 8R9 18 x 8.5/9.5-8, AT20 x 10/11-8, AT22 x 10R8, AT20 x 7R9 18 x 10/11-8, AT21 x 10/11R8, AT22 x 11R8, AT22 x 7R9 19 x 8.5/9.5-8, AT21 x 12R8, AT22 x 12R8, AT23 x 8R9 19 x 10/11-8, AT22 x 11R9
AT25 x 12/13R9	321520	TR6	35 mm	AT24 x 11R9, AT25 x 11R9, AT24 x 11R10, AT26 x 12R10 AT24 x 12/13R9 AT25 x 12R9 AT25 x 11R10 24 x 13.5-9 AT25 x 12R10 25 x 13.5-9
AT20 x 8/10R10	320771	TR6	20 mm	AT18 x 10R10, AT21 x 7R10, AT22 x 8R10, AT23 x 9R10 AT18 x 11R10, AT22 x 7R10, AT22 x 10R10, AT23 x 10R10 20 x 7.5-10, AT23 x 7R10, AT22 x 11R10 AT20 x 8R10, 22 x 12.5-10 AT20 x 10R10 AT20 x 11R10
AT22/23 x 8R11/12	321371	TR6	25 mm	AT23 x 8-11, AT23 x 8R12, AT23 x 10R12 AT24 x 8-11, AT24 x 8R12, AT24 x 10R12 AT24 x 9-11, AT25 x 8R12, AT25 x 10R12 23.5 x 8-11, AT23 x 9R12
AT24/26 x 12R12	321051	TR6	40 mm	AT24 x 12R12, AT25 x 8R11/12, AT26 x 10R12, AT25 x 11R12 AT25 x 12/13R12, AT26 x 8R11/12, AT26 x 12R12, AT26 x 11R11/12 AT27 x 8R11/12, AT27 x 11/12R12
AT26X8/9R14	324500	TR6	30 mm	AT26X8R14 AT26X9R14

## RADIAL LT TUBE FITMENT CHART

SIZE	PRODUCT CODE	VALVE	VALVE ON/OFF - CENTER	ALSO FITS
700/750R15LT	322230	TR13CW	25 mm	670R/710R/750R15LT, P215/75R15 LT215/225/235R15LT, P235/75R15 LT245/70R15LT, P245/70R15 LT255/70R15LT, P255/70R15 670R/710R/750R15LT, P235/245/70R15
GR/HR/LR15LT				
700/750R15	322070	TR150	25 mm	LT215/235/75R15, P255/65R15 P255/60R15 GR/HR/LR16LT
700/750R16LT	322060	TR150	25 mm	LT215/235/85R16 LT225/245/265/75R16

For tube stem and valve stem information and specifications, refer to most recent Tire & Rim Association publications.

**RADIAL LT TUBE FITMENT CHART (Continued)**

SIZE	PRODUCT CODE	VALVE	VALVE ON/OFF - CENTER	ALSO FITS
700/750R16LT	<b>322200</b>	TR13	25 mm	LR78-16LT, LT235/65R16, P265/75R16, P235/75R16
				LT225/70R16, LT235/70R16, P215/225/75R16LT, P235/65R17
				LT235/75R16, LT245/70R16, P225/70R16, P245/70R16
				LT225/85R16, LT245/75R16, P225/235/85R16, P255/70R16
				LT235/85R16, LT255/70R17, P235/65R16, P255/60R17
				LT255/60R17, LT235/65R17, P235/70R17, P265/70R16
				LT215/235/85R16, P245/75R16, P265/60R17
700/750R16LT	<b>322220</b>	TR15CW	25 mm	GR/HR/LR78-16LT, MR16HD, P215/225/75R16LT
				LT215/235/85R16, LR78-16LT
				LT225/85R16, LT225/70R16
				LT235/70R16, LT235/75R16
			LT245/70R16, LT255/70R16, 8.25R16LT	
7.00/7.50R16LT	<b>322210</b>	TR440	ON	
700/750R16LT	<b>322430</b>	TR13CW	25 mm	LT215/235/85R16, MR16HD
700/750R17/18	<b>322440</b>	TR440	ON	P265/60R17, P255/60R17, P235/65R17
				LT255/70R17, LT235/65R17
				LT255/60R17
9.50/10R16.5	<b>322320</b>	TR15CW	25 mm	31 x 10.50R16.5LT, LT265/60D16.5
12R16.5LT	<b>323990</b>	TR15CW	45 mm	33 x 12.50R16.5LT, 305/70D16.5NHS, 305/90D16.5NHS

For tube stem and valve stem information and specifications, refer to most recent Tire & Rim Association publications.

**REAR FARM RADIAL**

SIZE	PRODUCT CODE	VALVE	VALVE ON/OFF - CENTER	ALSO FITS
11.2/12.4R24	<b>323960</b>	TR218A	50 mm	320/85R24
13.6/14.9R24	<b>323950</b>	TR218A	55 mm	340/85R24, 380/85R24
14.9-16.9/17.5LR24	<b>323760</b>	TR218A	70 mm	460/70R24
18.4/19.5L/21LR24	<b>323770</b>	TR218A	70 mm	500/70R24, 540/70R24
13.6/14.9R28/30	<b>323750</b>	TR218A	83 mm	340/85R28, 380/85R28, 380/85R30
13.6/14.9R26/28	<b>324110</b>	TR218A	58 mm	340/85R28, 380/85R28
16.9/18.4R26/28	<b>323730</b>	TR218A	89 mm	480/80R26
14.9R30	<b>323741</b>	TR218A	84 mm	380/85R30
16.9/18.4R30	<b>323780</b>	TR218A	89 mm	420/90R30, 480/80R30
24.5R32	<b>323742</b>	TR218A	125 mm	650/75R32
13.6/14.9R34	<b>324120</b>	TR218A	58 mm	380/85R34
16.9/18.4R34	<b>323700</b>	TR218A	89 mm	420/85R34, 480/85R34
11.2/12.4R38	<b>323631</b>	TR218A	70 mm	290/90R38
14.9R36, 13.6/14.9/				
15.5R38	<b>323720</b>	TR218A	83 mm	380/80R38
16.9/18.4R38	<b>323690/323691</b>	TR218A	89 mm	480/80R38
20.8R38	<b>323710</b>	TR218A	90 mm	520/85R38
18.4R/20.8R42	<b>323740/323692</b>	TR218A	90 mm	480/80R42, 520/85R42
16.9/18.4R46	<b>323693/323694</b>	TR218A	50 mm	420/80R46, 480/80R46

For tube stem and valve stem information and specifications, refer to most recent Tire & Rim Association publications.



PASSENGER TUBE FITMENT CHART

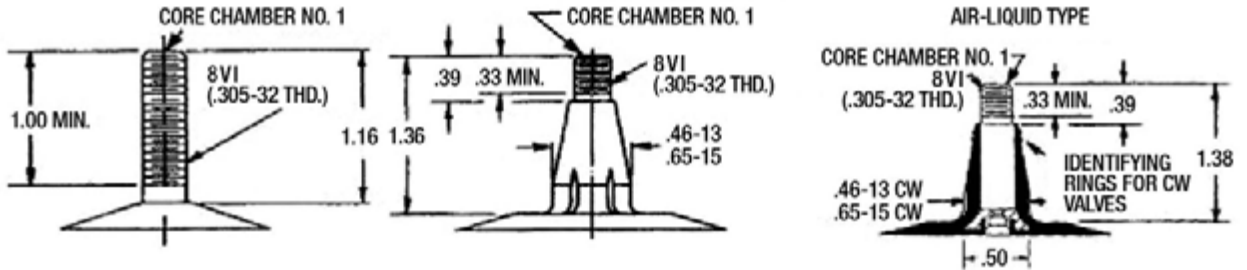
SIZE	PRODUCT CODE	VALVE	VALVE ON/OFF - CENTER	ALSO FITS				
DR 12/4.00/4.50/4.80/5.30-12	323844	TR-13	10 mm	DR12, 4.00-12				
				4.50-12				
				4.80-12				
				5.30-12				
ER 12/13	322160	TR-13	20 mm	A78-13, 145/80R12/13, 185/60R13, 5.00-12/13				
				135R12, 155/80R13, 195/60R13, 5.20-12/13				
				145R12/13, 165/70R12/13, AR78-12, 5.50-12				
				155R12/13, 155/70R12, BR78-12, 5.60-12/13				
				165R13, 6R12SL				
				FR 13/14	322010	TR-13	20 mm	A78-13/14, 165R14, 185/70R13/14, 6.00-13/14
								B78-13/14, 165/80R13/14, 205/60R13/14, 6.15-13
								A70-13, 175/80R13, 185/60R14, 6.40-13
B70-13/14, 155/80R14, 195/60R14, 6.50-13								
				A60-13/14, 165/75R13/14, AR78-13/14, 6R14SL				
				B60-13/14, 175/75R13/14, BR78-13/14, 7R14SL				
				175R13, 185/75R13, AR70-13				
				155R14, 175/70R13/14, BR70-13/14				
FR 15	322170	TR-13	20 mm	A78-15, 175R15, 195/60R15, 5.00-15				
				B78-15, 155/80R15, 205/60R15, 5.50-15				
				B70-15, 165/80R15, AR78-15, 6.00-15				
				155R15, 175/75R15, BR78-15				
				165R15, 185/70R15, BR70-15				
				GR 13/14/15	322020	TR-13	25 mm	C78-13/14/15, G60-14, 215/60R14/15, 7.00R13/14
								D78-13/14/15, 185R13/14/15, 225/60R14/15, 6.50R14
								E78-14/15, 195R13/14/15, 245/60R14, 7.35R14
F78-14/15, 175R14, CR78-13/14/15, 6.85R15								
				C70-13/14/15, 185/80R13/14, DR78-13/14/15, LT195/75R14				
				D70-13/14/15, 175/80R14, ER78-14/15, 700R14LT				
				E70-14/15, 195/75R13/14/15, FR78-15, 7.9R14LT				
				F70-14/15, 185/75R14/15, CR70-13/14/15, 26 x 850R14LT				
				C60-14/15, 205/75R14, DR70-13/14/15, 27 x 850R14LT				
				D60-14/15, 195/70R13/14/15, ER70-14/15, 27 x 750R15LT				
				E60-14/15, 205/70R13/14/15, FR70-14/15				
				F60-14/15, 235/6013/14, 6.70R13/14				
KR 14/15	322030	TR-13	30 mm	G78-14/15, 225R15, 235/60R15, 7.75R14/15				
				H78-14/15, 195/80R15, 245/60R15, 8.00R14/15				
				G70-14/15, 215/75R14/15, FR78-14, 8.25R14/15				
				H70-14/15, 225/75R14, GR78-14/15, 8.55R15				
				H60-14/15, 205/75R15, HR78-14/15				
				G60-15, 215/70R14/15, GR70-14/15				
				205R14/15, 225/70R14/15, HR70-14/15				
				215R14/15, 255/60R14, 7.50R14/15				
MR 14/15	322040	TR-13	25 mm	J78-14/15, M60-14/15, 265/60R14/15, LR70-15				
				K78-15, N60-15, 275/60R14/15, 8.50R14				
				L78-15, 225R14, 255/60R15, 8.85R14/15				
				N78-15, 235R15, JR78-14/15, 9.00R14/15				

For tube stem and valve stem information and specifications, refer to most recent Tire & Rim Association publications.

**PASSENGER TUBE FITMENT CHART** (Continued)

SIZE	PRODUCT CODE	VALVE	VALVE ON/OFF - CENTER	ALSO FITS	
	<b>322050</b>			J70-14/15, 235/75R14/15, KR78-15, 9.50R14	
				K70-15, 225/75R15, LR78-15, 9.15R15	
				L70-15, 235/70R14/15, NR78-15	
				J60-14, 245/70R14/15, JR70-14/15	
				L60-14/15, 255/70R15, KR70-15	
GR/KR 16			TR-15	25 mm	F78-16, FR78-16, 5.50R16, 7R16SL
					H78-16, HR78-16, 6.00R16, 8R16SL
					L78-16, JR78-16, 6.50R16
					LR78-16, 6.70R16
					7.00R16
	<b>322190</b>			7.50R16	
GR/KR 16			TR-15CW	25 mm	F78-16, FR78-16, 8.00R16
					H78-16, HR78-16, 8.25R16
					L78-16, LR78-16

For tube stem and valve stem information and specifications, refer to most recent Tire & Rim Association publications.

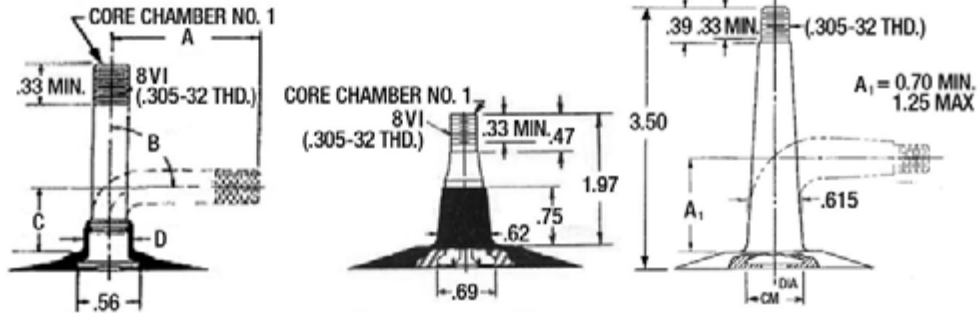


TR 6

TR 13 (TR15)

TR 13CW-TR 15CW\*

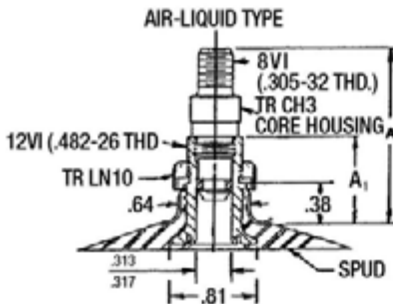
\*To be used where liquid fill is used in tubes



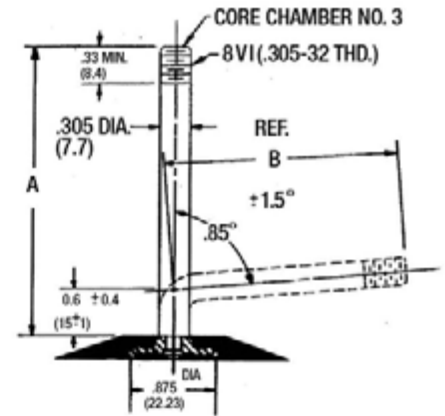
TR 87 / JS 2 / JS 87

TR 300

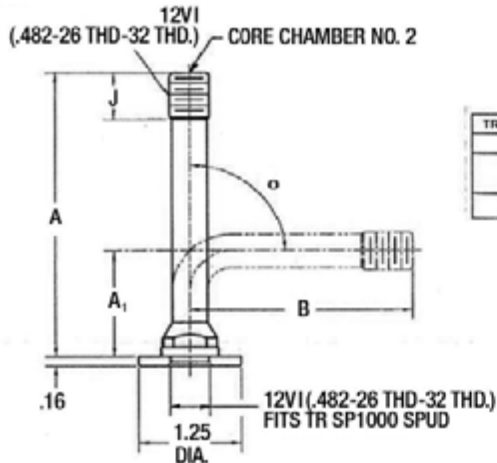
TR 150



TR 218A / 220A

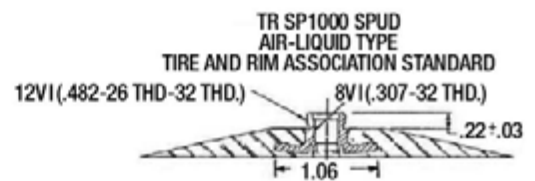


TR 440 SERIES



TR J1175C

TR VALVE NO.	FORM	A	A <sub>1</sub> ±.06	B	J	Z°
J 1014	A	1.91	--	--	1.44	--
	A	4.16	--	--	.75	--
J 1076	D	--	2.06	2.31	.75	90
	C	--	1.39	3.09	.75	88
J 1175	A	5.26	--	--	.75	--
	C	--	1.38	4.13	.75	88



TR SP1000 SPUD





Edmonton, AB

Waterloo, ON

**UNITED STATES**

- Aiken, SC
- Clinton, TN
- Edwardsville, KS
- Kent, WA
- Fontana, CA
- Franklin (Nashville), TN
- Jackson, TN
- McDonough, GA
- Slinger, WI



Budapest, Hungary

Meizhou, China





**Corporate Office**

**The Carlstar Group, LLC**

725 Cool Springs Blvd.

Suite 500

Franklin, TN 37067

Tel: **+1 615-503-0220**

Email: **brand@carlstargroup.com**

© 2020 The Carlstar Group, LLC.

All rights reserved.

Revision 02/20. Part #CSL-L-2004

**Customer Service:**

**USA**

Tel: **+1 800-827-1001**

Email: **orders@carlstargroup.com**

**Warranty Department:**

Tel: **+1 800-260-7959**

Email: **customer.care@carlstargroup.com**

**Canada**

Waterloo Tel: **1(800)265-6155**

Edmonton Tel: **1(877)842-6275**

**AUTHORIZED CARLSTAR DISTRIBUTOR**

